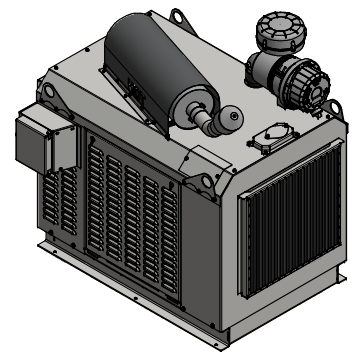
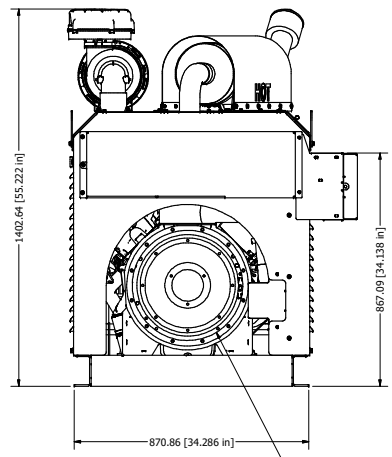
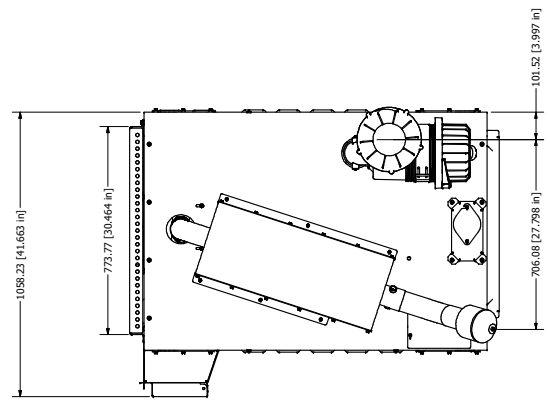


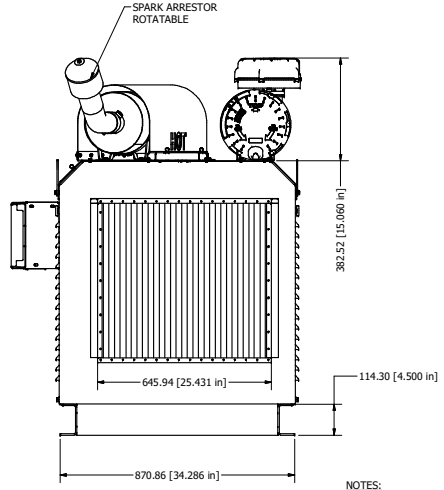
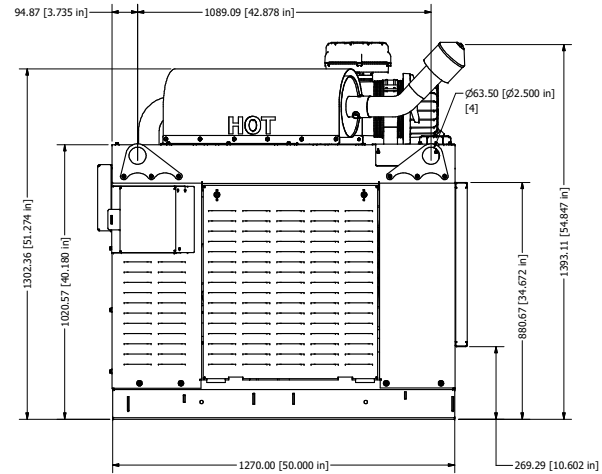
REVISION HISTORY					
REV	SHEET	ZONE	DESCRIPTION	DATE	APPROVED
1	ALL	ALL	INITIAL RELEASE	10/30/2021	MDW



PICTORIAL VIEW  
SCALE 1 / 12



SAE-3 FWH  
11.5" FW



- NOTES:
- 1.) NO BURRS OR SHARP EDGES ALLOWED.
  - 2.) NO RESTRICTED OR REPORTABLE SUBSTANCES ALLOWED.
  - 3.) ALL GD&T COMPLIANT WITH ASME Y14.5M-1994.
  - 4.) MAKE MILD STEEL SHEET.
  - 5.) PAINT COMPLETED ASSEMBLY HIGH-GLOSS BLACK.

DRAWN	3/27/2017	<b>MICHIGAN CAT</b>	
ENGINEER			
ENG. MAN.		6.2L MCAT EPU	
M. WAYBRIGHT		SIZE	UNITS
		D	METRIC
		DWG NO	FORD 6.2L MCAT EPU
		SCALE	1 : 3 UNLESS OTHERWISE SPECIFIED
		REV	SHEET 1 OF 1

THE CONTENTS OF THIS DRAWING ARE THE PROPERTY OF MICHIGAN CAT AND CANNOT BE SHARED WITH 3RD PARTIES UNLESS EXPLICITLY APPROVED IN WRITING.